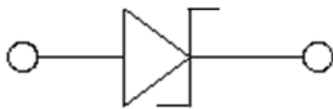


## Zener Diodes



### Features

- Moisture sensitivity level 1
- Zener voltage 2.4V~47V

### Application

- Linear voltage regulator
- DC regulator
- Small-signal surge protection

### Mechanical data

- **Package:** SOD-323
- **Terminals:** Tin plated leads, solderable per J-STD-002 and JESD22-B102

### ■ Maximum Ratings (T<sub>a</sub>=25°C Unless otherwise specified)

Parameter	Symbol	Unit	Value
Forward voltage @ I <sub>F</sub> =10mA	V <sub>F</sub>	V	0.9
Power dissipation	P <sub>D</sub>	mW	200
Maximum regulator current	I <sub>ZM</sub>	mA	P <sub>D</sub> /V <sub>Z</sub>
Junction temperature	T <sub>J</sub>	°C	-55 to +150
Storage temperature	T <sub>STG</sub>	°C	-55 to +150



# MMSZ5221BS THRU MMSZ5261BS

RoHS  
COMPLIANT

## ■ Electrical Characteristics (T<sub>a</sub>=25°C Unless otherwise specified)

Type number	Device marking	V <sub>Z</sub> @ I <sub>ZT</sub> (V)			Z <sub>ZT</sub> (Ω)		Z <sub>ZK</sub> (Ω)		I <sub>R</sub> (μA) @V <sub>R</sub>	
		Min.	Typ.	Max.	I <sub>ZT</sub> (mA)	Max.	I <sub>ZK</sub> (mA)	Max.	Max	V <sub>R</sub> (V)
MMSZ5221BS	C1	2.28	2.4	2.52	20	30	0.25	1200	100	1.0
MMSZ5222BS	C2	2.38	2.5	2.63	20	30	0.25	1250	100	1.0
MMSZ5223BS	C3	2.57	2.7	2.84	20	30	0.25	1300	75	1.0
MMSZ5225BS	C5	2.85	3.0	3.15	20	29	0.25	1600	50	1.0
MMSZ5226BS	G1	3.14	3.3	3.47	20	28	0.25	1600	25	1.0
MMSZ5227BS	G2	3.42	3.6	3.78	20	24	0.25	1700	15	1.0
MMSZ5228BS	G3	3.71	3.9	4.10	20	23	0.25	1900	10	1.0
MMSZ5229BS	G4	4.09	4.3	4.52	20	22	0.25	2000	5	1.0
MMSZ5230BS	G5	4.47	4.7	4.94	20	19	0.25	1900	5	2.0
MMSZ5231BS	E1	4.85	5.1	5.36	20	17	0.25	1600	5	2.0
MMSZ5232BS	E2	5.32	5.6	5.88	20	11	0.25	1600	5	3.0
MMSZ5234BS	E4	5.89	6.2	6.51	20	7	0.25	1000	5	4.0
MMSZ5235BS	E5	6.46	6.8	7.14	20	5	0.25	750	3	5.0
MMSZ5236BS	F1	7.13	7.5	7.88	20	6	0.25	500	3	6.0
MMSZ5237BS	F2	7.79	8.2	8.61	20	8	0.25	500	3	6.5
MMSZ5239BS	F4	8.65	9.1	9.56	20	10	0.25	600	3	7.0
MMSZ5240BS	F5	9.50	10	10.50	20	17	0.25	600	3	8.0
MMSZ5241BS	H1	10.45	11	11.55	20	22	0.25	600	2	8.4
MMSZ5242BS	H2	11.40	12	12.60	20	30	0.25	600	1	9.1
MMSZ5243BS	H3	12.35	13	13.65	9.5	13	0.25	600	0.5	9.9
MMSZ5245BS	H5	14.25	15	15.75	8.5	16	0.25	600	0.1	11.0
MMSZ5246BS	J1	15.20	16	16.80	7.8	17	0.25	600	0.1	12.0
MMSZ5248BS	J3	17.10	18	18.90	7	21	0.25	600	0.1	14.0
MMSZ5250BS	J5	19.00	20	21.00	6.2	25	0.25	600	0.1	15.0
MMSZ5251BS	K1	20.90	22	23.10	5.6	29	0.25	600	0.1	17.0
MMSZ5252BS	K2	22.80	24	25.20	5.2	33	0.25	600	0.1	18.0



# MMSZ5221BS THRU MMSZ5261BS

RoHS  
COMPLIANT

Type number	Device marking	$V_Z @ I_{ZT}$ (V)			$Z_{ZT}(\Omega)$		$Z_{ZK}(\Omega)$		$I_R(\mu A) @ V_R$	
		Min.	Typ.	Max.	$I_{ZT}(mA)$	Max.	$I_{ZK}(mA)$	Max.	Max	$V_R(V)$
MMSZ5254BS	K4	25.65	27	28.35	4.6	41	0.25	600	0.1	21.0
MMSZ5256BS	M1	28.50	30	31.50	4.2	49	0.25	600	0.1	23.0
MMSZ5257BS	M2	31.35	33	34.65	3.8	58	0.25	700	0.1	25.0
MMSZ5258BS	M3	34.20	36	37.80	3.4	70	0.25	700	0.1	27.0
MMSZ5259BS	M4	37.05	39	40.95	3.2	80	0.25	800	0.1	30.0
MMSZ5260BS	M5	40.85	43	45.15	3	93	0.25	900	0.1	33.0
MMSZ5261BS	N1	44.65	47	49.35	2.7	105	0.25	1000	0.1	36.0

## ■ Thermal Characteristics

Parameter	Symbol	Unit	Value
Thermal resistance, junction-to-ambient	$R_{\theta J-A}^{(1)}$	$^{\circ}C/W$	625
Thermal resistance, junction-to-case	$R_{\theta J-C}^{(1)}$	$^{\circ}C/W$	500

### Note:

(1) Thermal resistance from junction to ambient and from junction to case mounted on P.C.B. with 8mm\*9mm copper pad areas



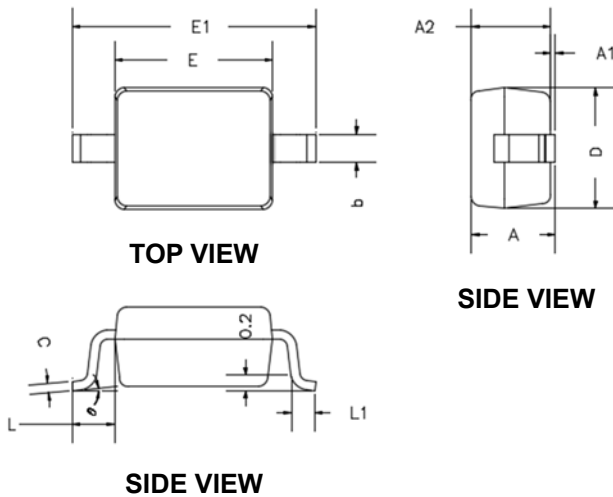
# MMSZ5221BS THRU MMSZ5261BS

RoHS  
COMPLIANT

## Ordering Information

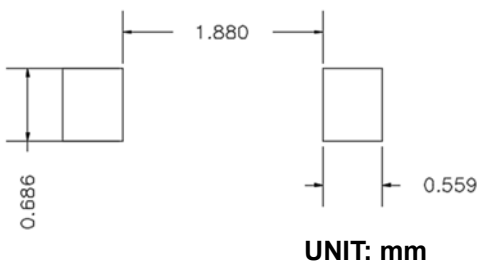
Preferred P/N	Packing code	Unit weight(g)	Minimum package(pcs)	Inner box quantity(pcs)	Outer carton quantity(pcs)	Delivery mode
MMSZ5221BS THRU MMSZ5261BS	F2	Approximate 0.0048	3000	30000	120000	7" reel
MMSZ5221BS THRU MMSZ5261BS	F3	Approximate 0.0048	10000	/	210000	13" reel

## Outline Dimensions



DIMENSIONS				
DIM	INCHES		MM	
	MIN	MAX	MIN	MAX
A	---	0.0393	---	1.0000
A1	0.0000	0.0039	0.0000	0.1000
A2	0.0314	0.0354	0.8000	0.9000
b	0.0098	0.0157	0.2500	0.4000
c	0.0031	0.0059	0.0800	0.1500
D	0.0472	0.0551	1.2000	1.4000
E	0.0629	0.0709	1.6000	1.8000
E1	0.0984	0.1063	2.5000	2.7000
L	0.0187TYP		0.475TYP	
L1	0.0098	0.0157	0.250	0.400
e	0°	8°	0°	8°

## Suggested Pad Layout





## MMSZ5221BS THRU MMSZ5261BS

RoHS  
COMPLIANT

### Disclaimer

The information presented in this document is for reference only. Yangzhou Yangjie Electronic Technology Co., Ltd. reserves the right to make changes without notice for the specification of the products displayed herein to improve reliability, function, or design or otherwise.

The product listed herein is designed to be used with ordinary electronic equipment or devices, and not designed to be used with equipment or devices which require high level of reliability and the malfunction of which would directly endanger human life (such as medical instruments, transportation equipment, aerospace machinery, nuclear-reactor controllers, fuel controllers and other safety devices), Yangjie or anyone on its behalf, assumes no responsibility or liability for any damages resulting from such improper use of sale.

This publication supersedes & replaces all information previously supplied. For additional information, please visit our website [http:// www.21yangjie.com](http://www.21yangjie.com) , or consult your nearest Yangjie's sales office for further assistance.